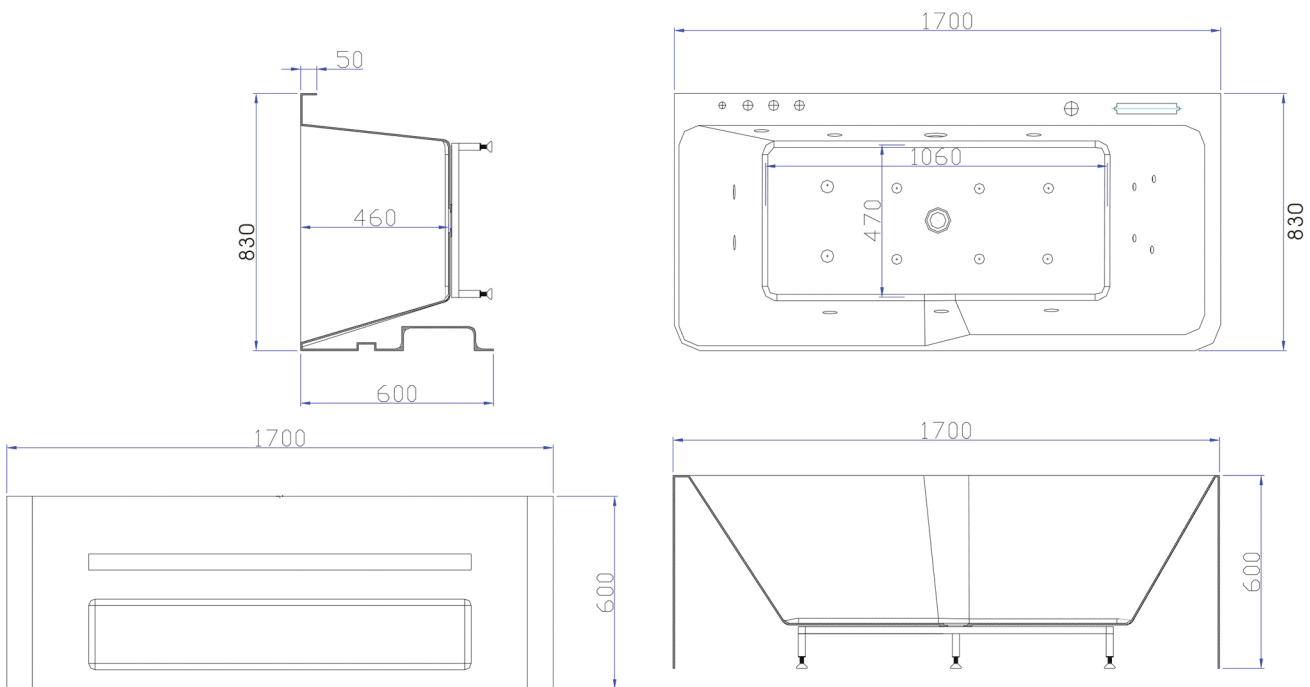


GBB78C
MASSAGE BATHTUB



IMPORTANT:

1. Drawings are not to scale.
2. Measurement tolerance ± 10 mm.
3. Reserving the right to change the product spec. without further notice.